



STARANDDAISY

Baby Cat High Chair

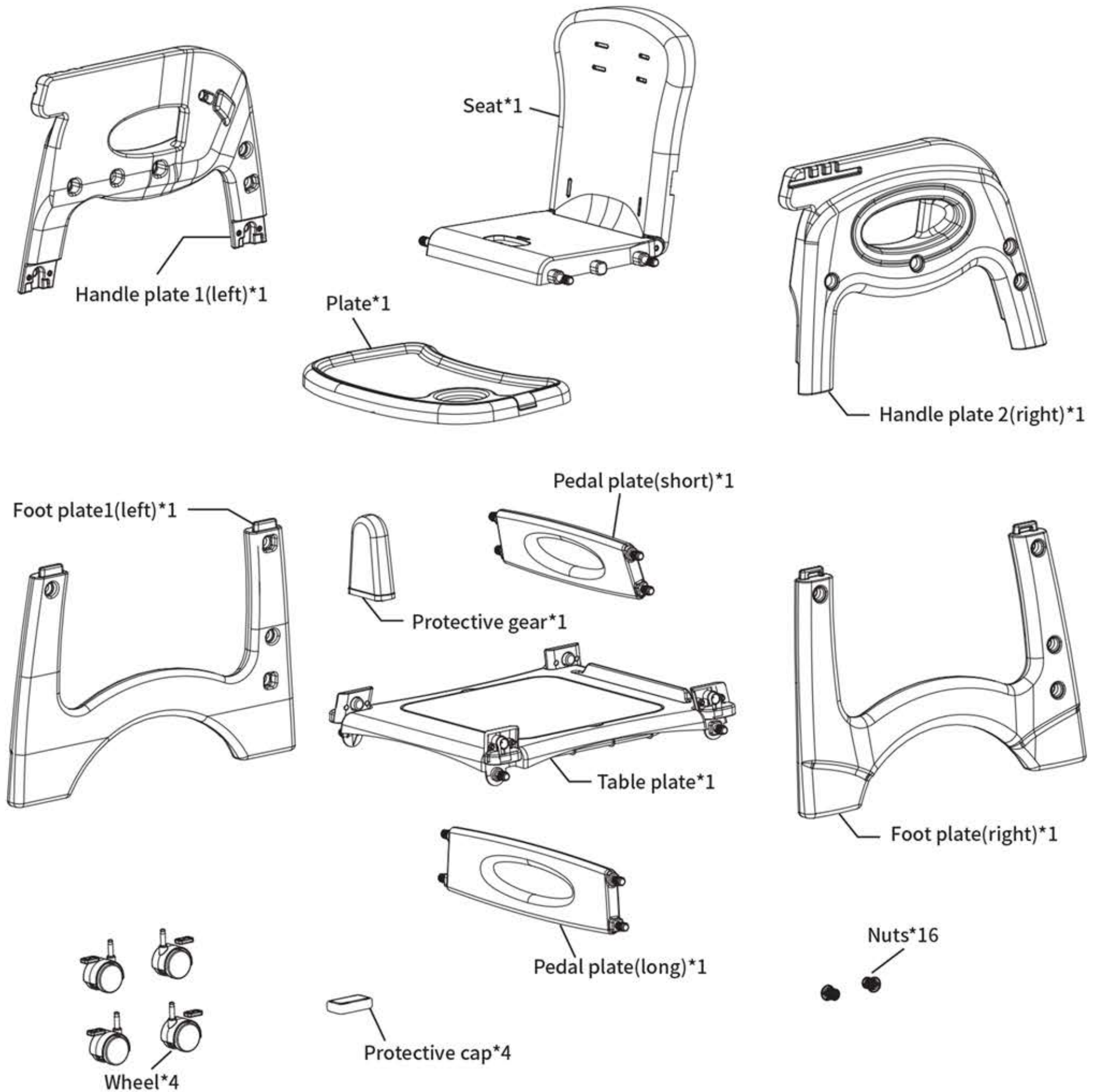


Installation and Operational Manual

for safety please read this manual carefully keep it for future reference

Instructions for use

Accessories list



Warning!

“Do not get near fire” or expose to high temperatures, and do not place it in a dark, damp place.

Please replace or repair damaged parts in time.

Do not use if the high chair is damaged or broken.

Always check that all parts of the highchair are working properly.

When the child is sitting in the dining chair, please do not move it at will.

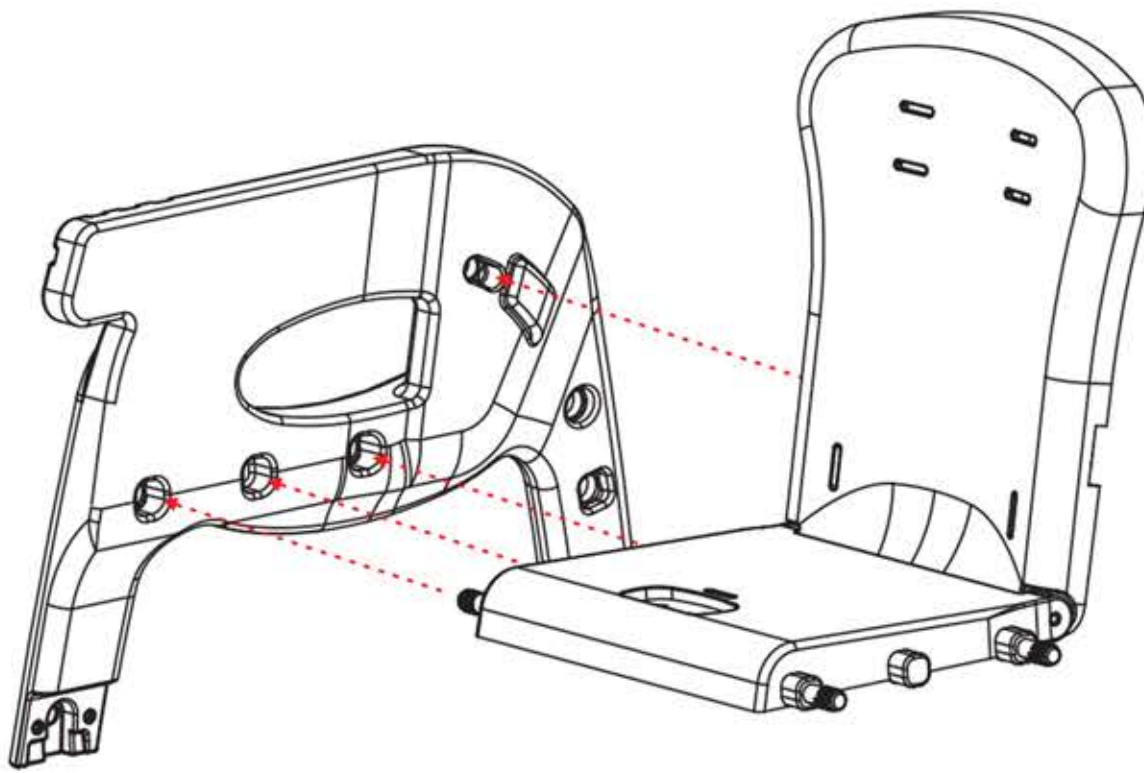
Instructions for use

installation instructions:

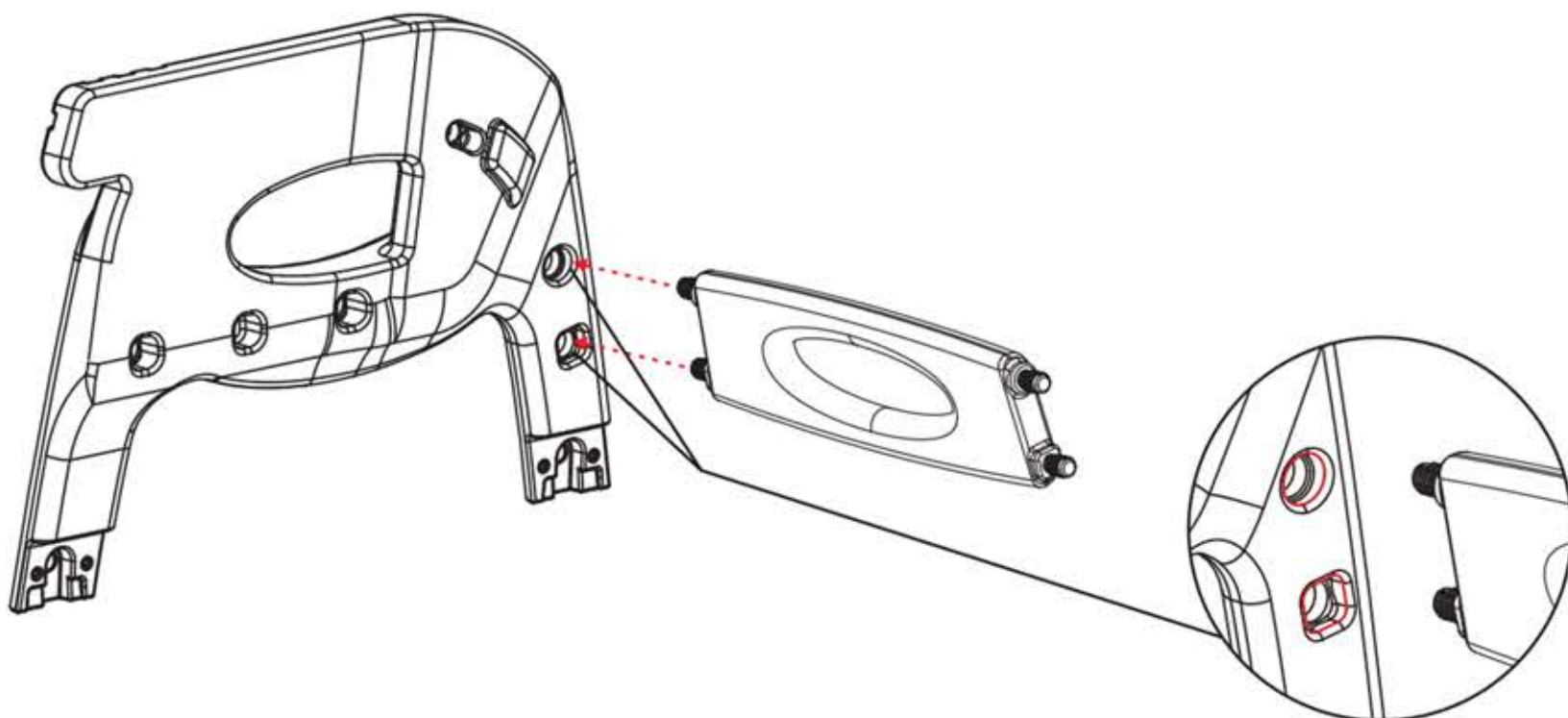
NOTICE! Only adults are allowed to install and children are not near.
warm tips: It is recommended to half screw the nut first, tighten all nuts after all parts are fixed

Baby high chair mode

1. buckle the left side of the seat into the handle plate (left), and screw in 2 nuts.

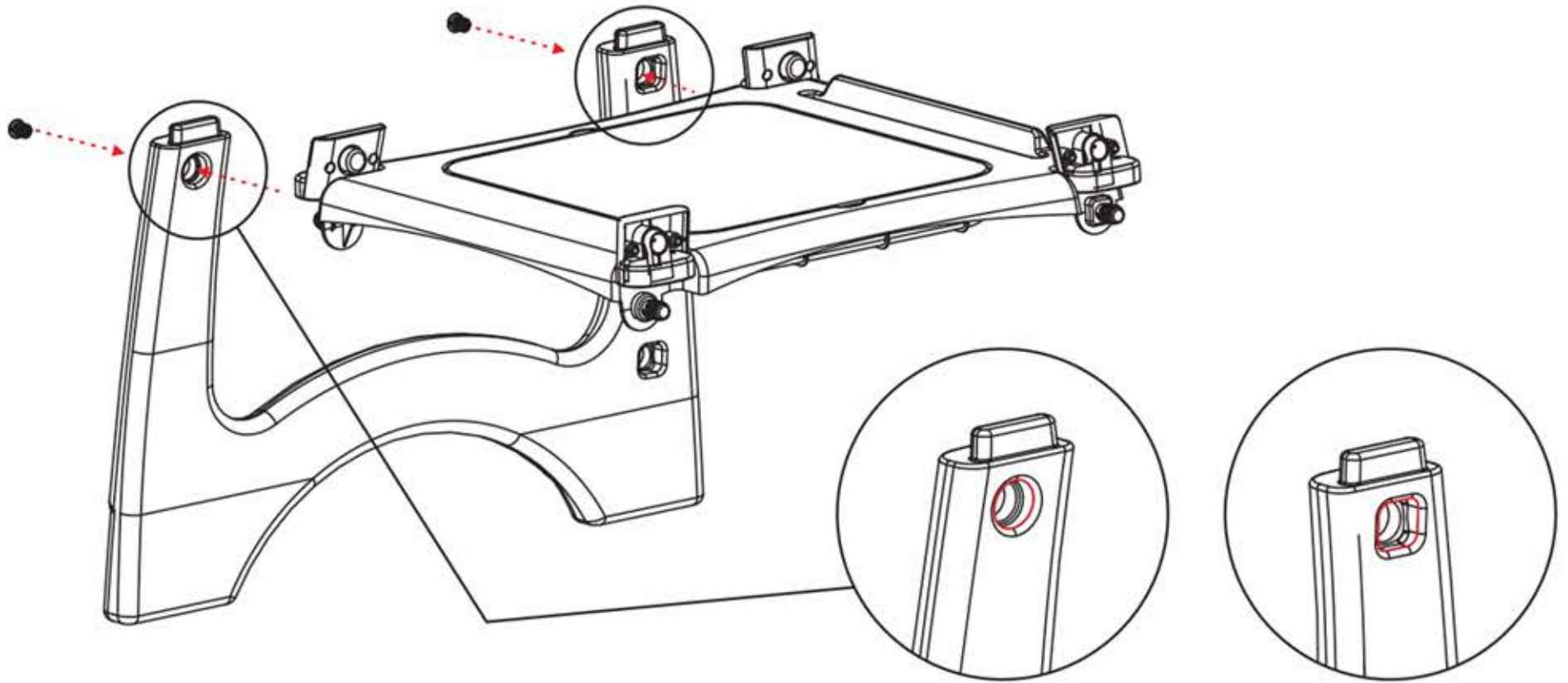


2. Buckle the pedal plate into the left of seat, and screw in 2 nuts.

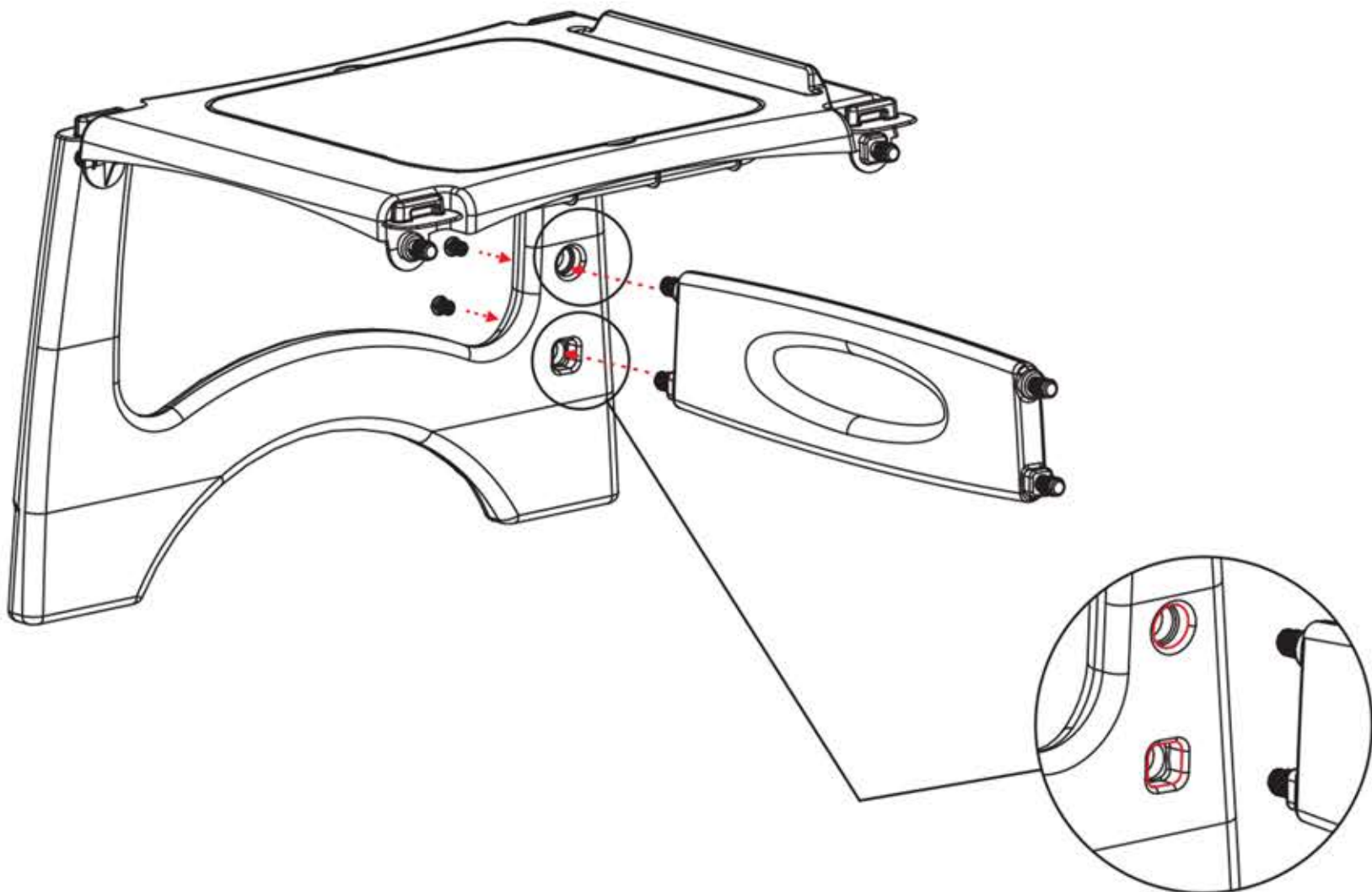


Instructions for use

3. Buckle the table plate into the left foot plate, and screw into 2 buts.



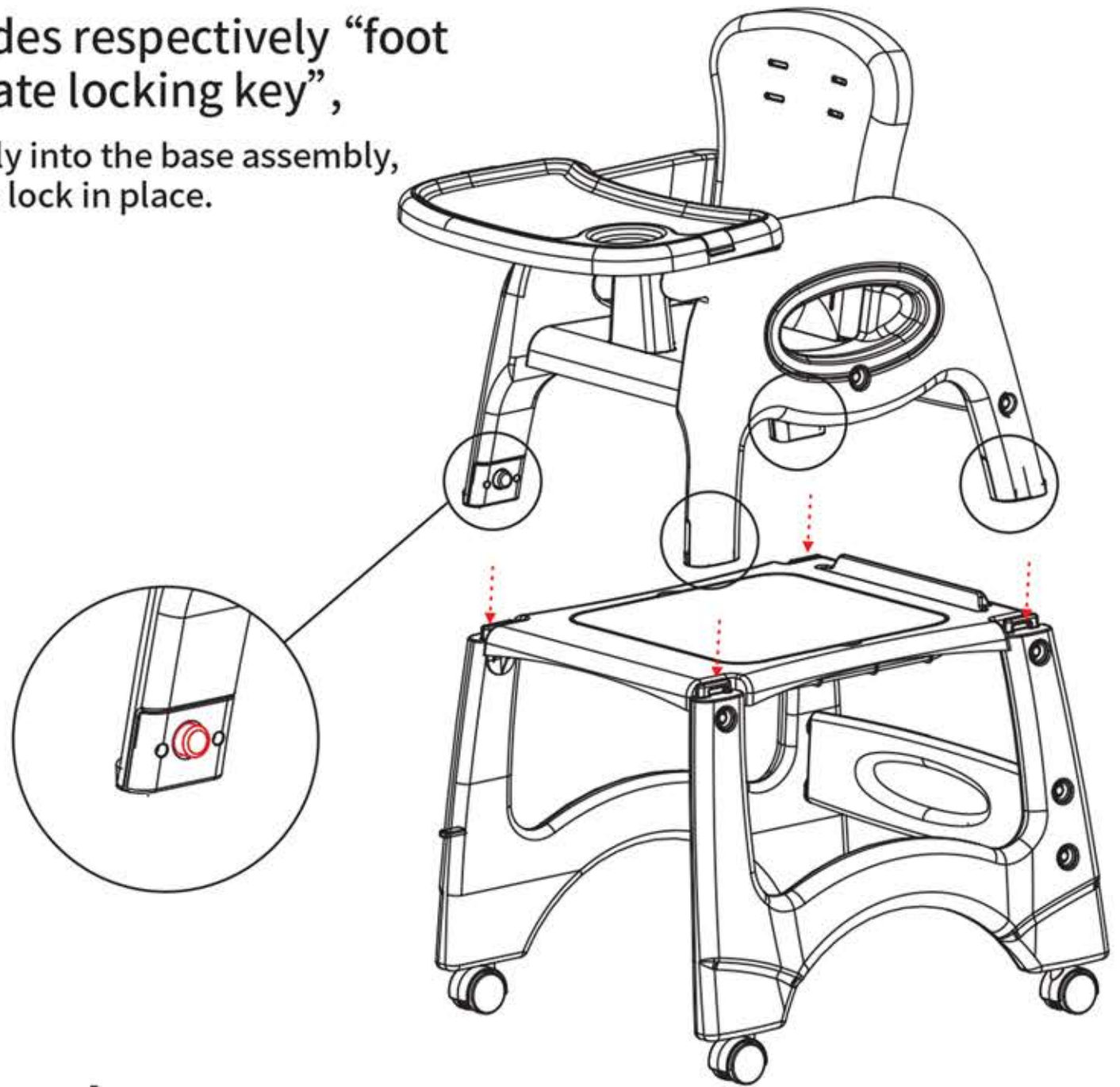
4. Buckle the long pedal plate into the left foot plate, and screw into 2 nuts.



Instructions for use

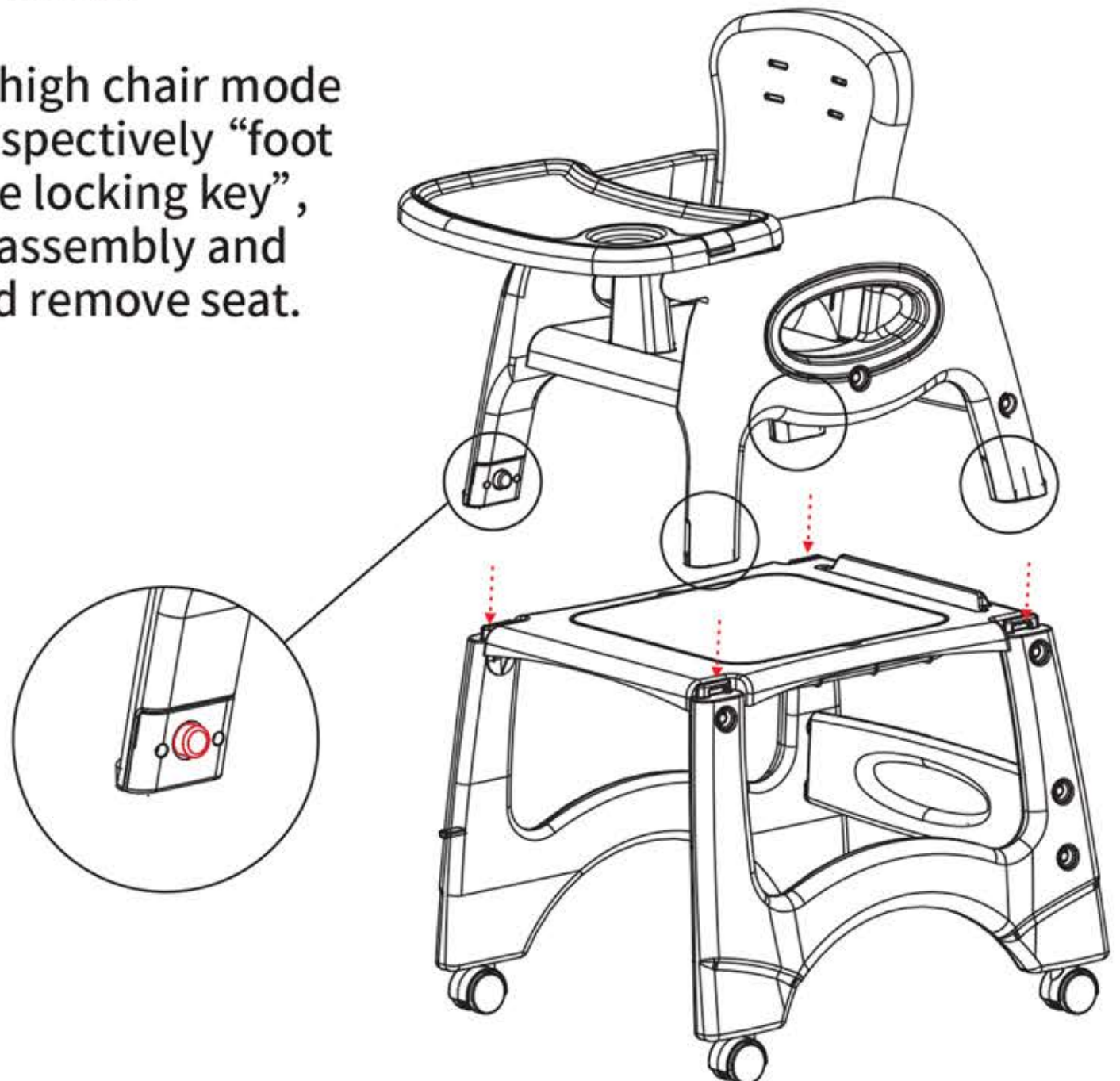
5. Press the four sides respectively “foot plate&handle plate locking key”,

Snap the seat assembly into the base assembly,
Reverse pull to ensure lock in place.



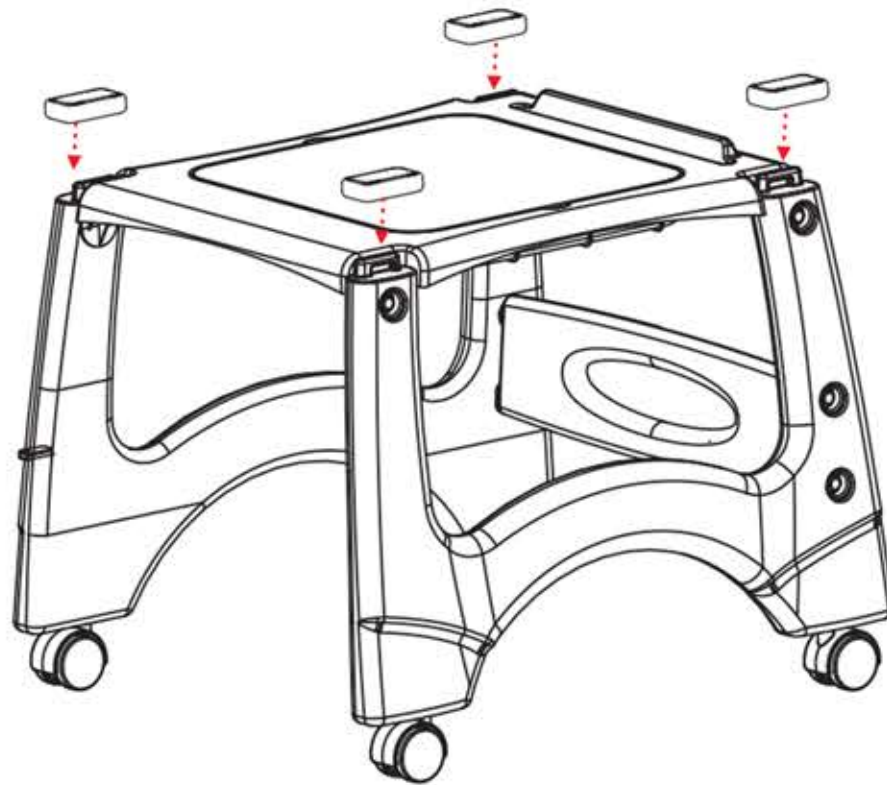
Study table mode

1. under the baby high chair mode
press four sides respectively “foot
plate&handle plate locking key”,
then remove seat assembly and
base assembly and remove seat.

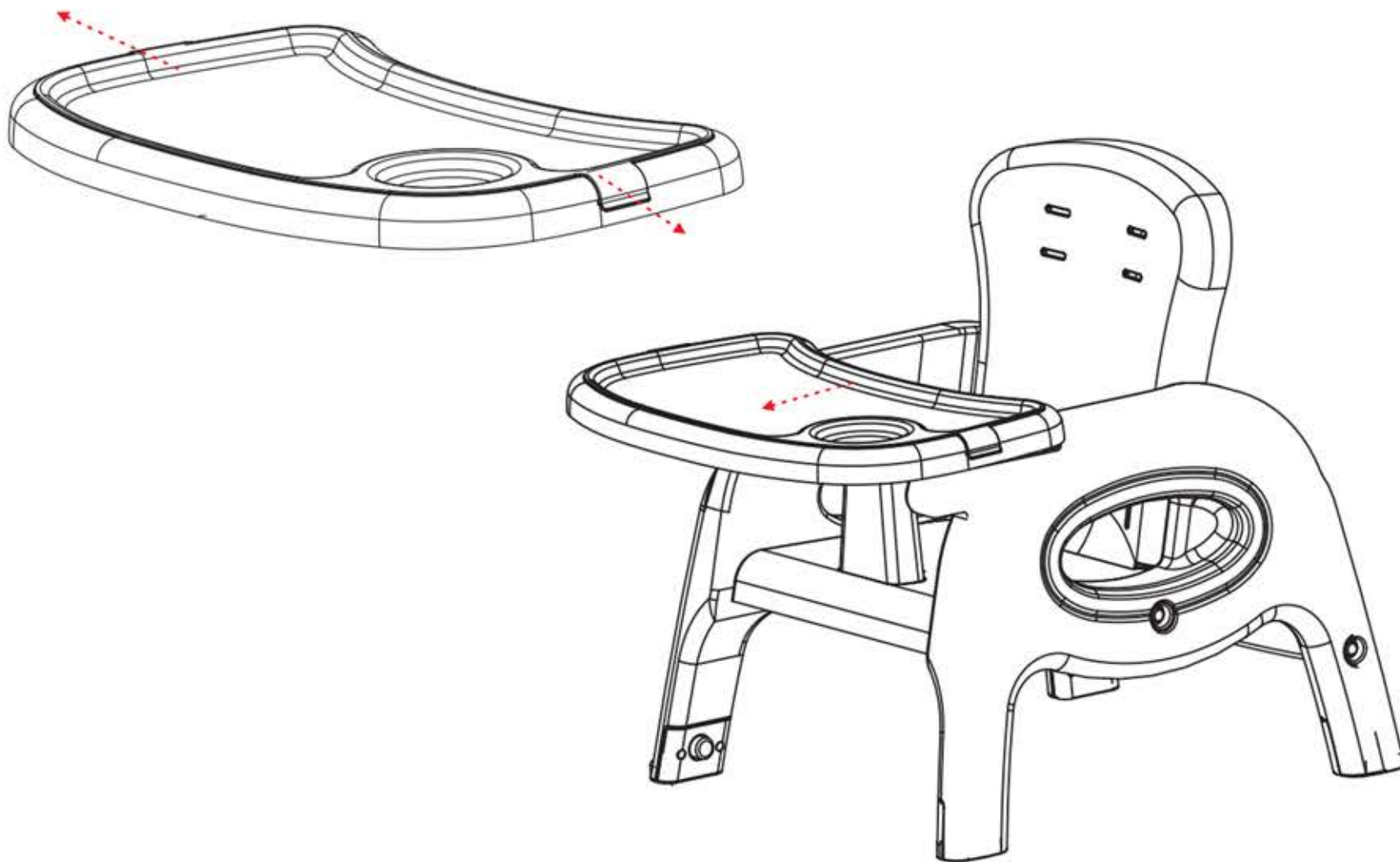


Instructions for use

2. Buckle the protective cap into the four corner of the table.



3. Disassemble plates as require. Hold the handle with both hands just pull the plate out.



Warning: Check all spare parts complete, ensure that the installation and adjustment are correct and stable. If the product has any unsteadiness damaged, crushed, please stop using it, please keep the parts away from children to prevent accidents.

Before use, make sure that no part of your child's body is stuck in the movable part of the dining chair.

It is forbidden to use at the pool, in rugged and dangerous places. Make sure the seat belt is fastened and the seat belt is ready for your child.

In order to prevent the child from falling or slipping from the dining chair, the seat belt must be used when riding.

It is forbidden to put the child on the plate.

Do not leave your child alone in the absence of care to avoid danger.

Before use, please make sure that all parts of the dining chair are fixed.

The maximum weight of this dining chair is 20 kg.

It is forbidden for children under 6 months. this product is suitable for ages from 6 to 36 months.

Please read this manual carefully and keep it for future reference.

Troubleshooting

Fault phenomenon	Reason analysis	Solution
Shake/unbalanced	The spare parts are not in space/nut not tightened	Nuts are in place
	Uneven ground	Put on the even ground

Cleaning and maintenance

Cleaning method

1.cushion:take off the safe belt and wipe it with hot water, do not put under the sunshine.

2.frame:wipe the surface of bolt with dry towel,use soap water or detergent in necessary.Do not use high detergent .

Maintenance

1.Check each spare parts are complete or not,whether parts or cushions are damaged.If any questions,stop using it.

2.Please keep away from sharp objects to prevent damage.

3.Please keep in cool place when not in use for a long time,use dry towel to cover it.

4.The products is flammable,do not close to fire and far away from other heat source,like heater.



STARANDDAISY

Premium Babycare Products



Scan for Installation video



+91-9872399399



care@staranddaisy.in



www.staranddaisy.in